

Name: _____

Are the Volumes Similar or Different?

Looking at the two cylinders, determine which statement is true.

- a. Volumes will be the same
- b. Figure 1 has a greater volume than figure 2
- c. Figure 2 has a greater volume than figure 1

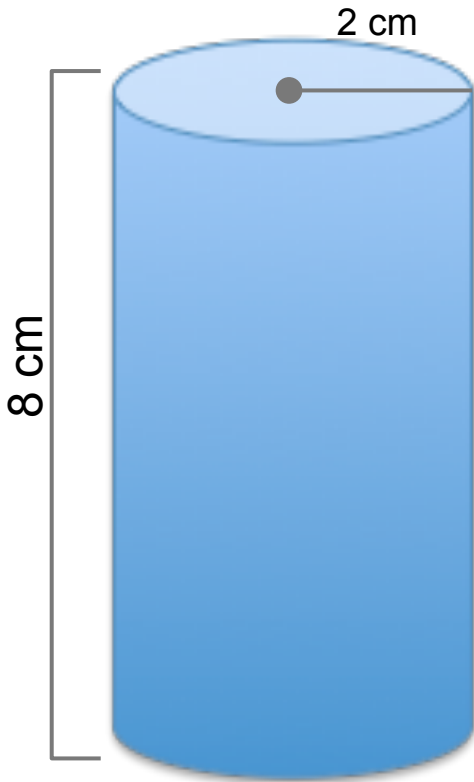


Figure 1

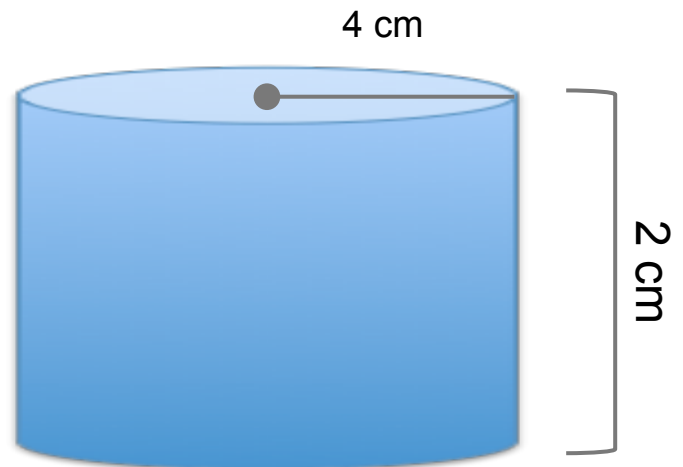


Figure 2

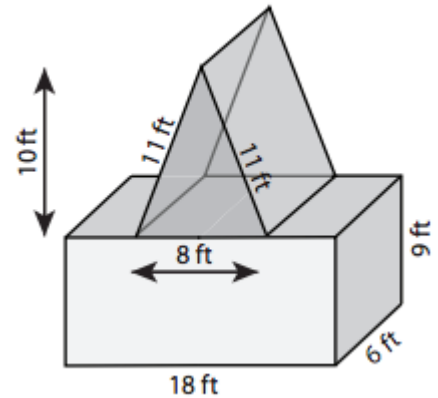
Explain why you chose the answer.

Name: _____

Surface Area

a. Determine the surface area of the following figure.

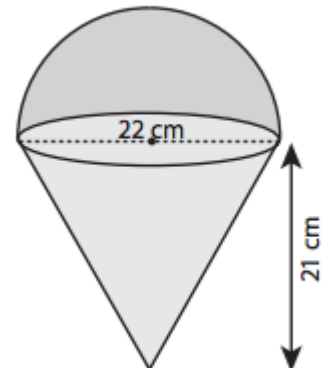
- i. 800 ft^2
- ii. 860 ft^2
- iii. 806 ft^2



b. What methods did you use to find this answer?

c. Determine the surface area of the following figure.

- i. 1578.7 cm^2
- ii. 1600 cm^2
- iii. 1578 cm^2



d. What methods did you use to find this answer?